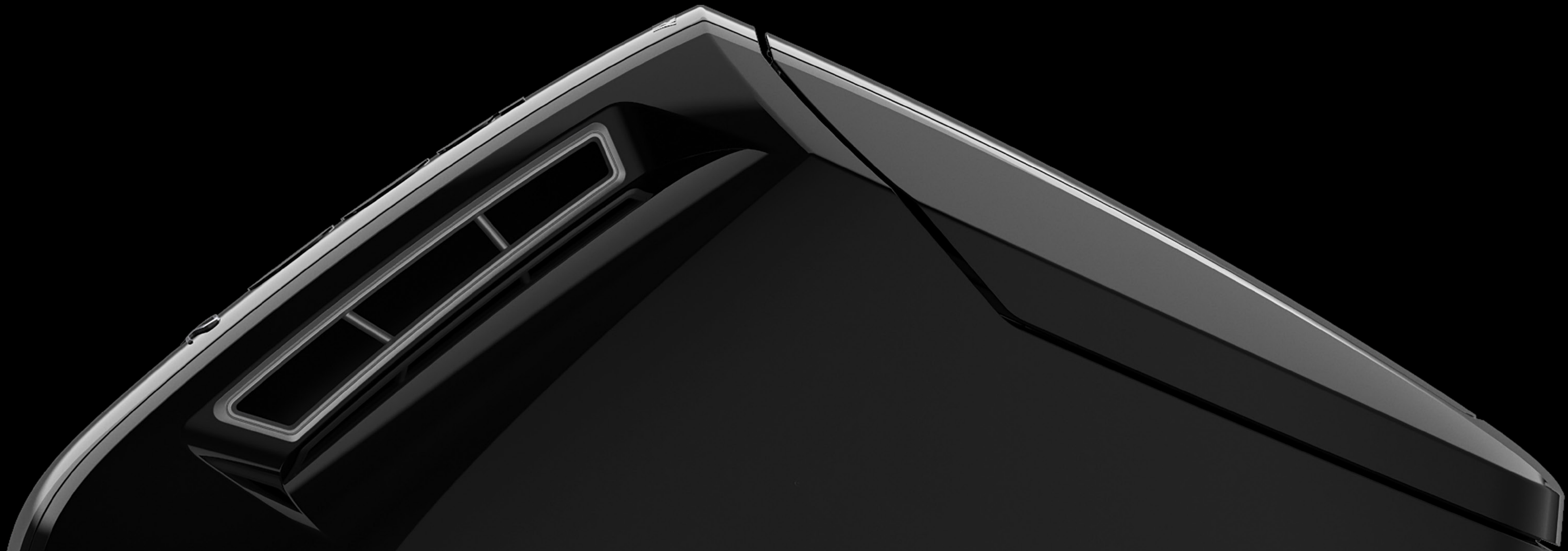




V12

7.6L V12 600HP

VERADO



VERADO

Power.
Luxury.
Freedom.

Furthering the legacy of the Verado engine family, Mercury reimagined outboard performance to deliver the ultimate luxury boating experience. Meet the most powerful, most innovative outboard in Mercury history. The 7.6L V12 600hp Verado.

POWER TO REACH NEW WATERS. / LUXURY BEYOND EXPECTATIONS. / FREEDOM TO SEEK NEW HORIZONS.



Power to reach new waters.

The unwavering strength of a V12 powerhead and the capabilities of 600hp deliver extraordinary range and performance to take your boating adventures to new destinations.

Powerhead

The 7.6L V12 600hp Verado® outboard delivers flawless performance and uncompromising reliability from the outboard segment's first V12 powerhead.

Its 7.6-liter displacement and performance-inspired quad-cam design generate superior torque and acceleration to lift heavy boats on plane and conquer the water with confidence. With the strength of the V12 Verado outboard behind you, freedom is as easy as deciding how far you want to go and how fast you want to get there.



7.6L

DISPLACEMENT (7.6L)

Whether you're heading toward uncharted fishing destinations or cruising with a full crew, the V12 600hp Verado outboard's impressive 7.6 liters of displacement make easy work of propelling heavy vessels.

QUAD CAM

The performance-inspired quad-cam design is tuned to power big boats out of the hole and over the swell. Even at midrange, you'll experience instant acceleration and an exhilarating boost the moment you lean into the throttle.

TRANSIENT SPARK TECHNOLOGY

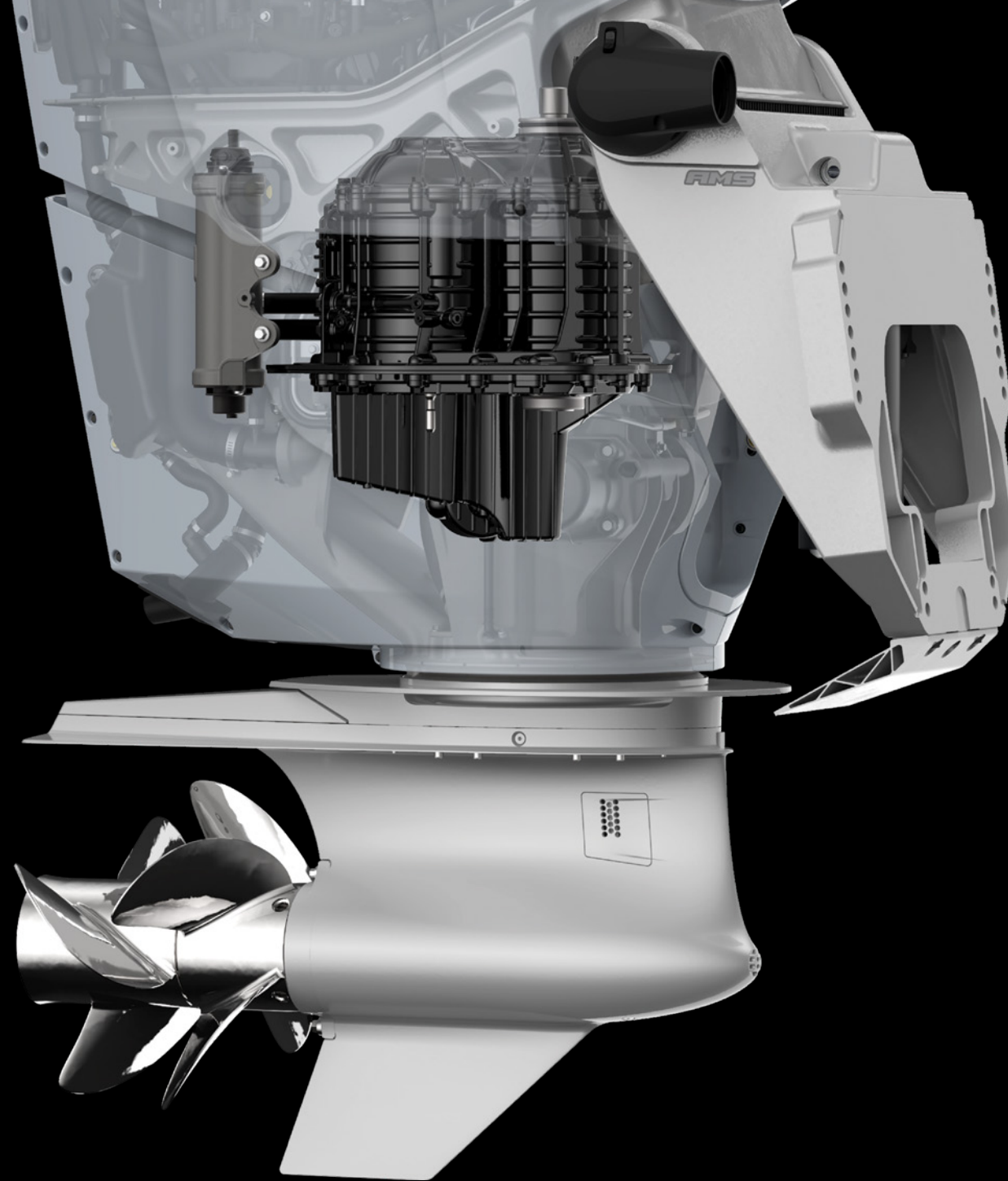
Transient Spark technology calibrates spark plug timing to optimize low-end power. The result is performance you can feel: greater torque, faster hole shots and sensational acceleration.

Transmission

Smooth. Quiet. Effortless. Our innovative two-speed automatic transmission is the first in the industry and was crafted exclusively for the 7.6L V12 600hp Verado® outboard.

SHIFTING WHAT'S POSSIBLE

The two-speed transmission makes effortless work of transferring 600hp to the gearcase. Enjoy maximum torque and acceleration in first gear to get the boat on plane quickly before the transmission silently shifts to second. No shift clunk. No limitations. Only smooth, impressive power.





Luxury beyond expectations.

Delight in the experience of smooth, quiet Verado performance. Gracefully refined. Total luxury.



Steerable Gearcase

Mercury® revolutionized the way boats handle by designing the outboard segment's first steerable gearcase exclusively for the 7.6L V12 600hp Verado® outboard.

INTEGRATED ELECTRO-HYDRAULIC STEERING

With smooth electro-hydraulic controls, the steerable gearcase immediately responds to your commands for more precise maneuverability around docks and effortless handling in open water.

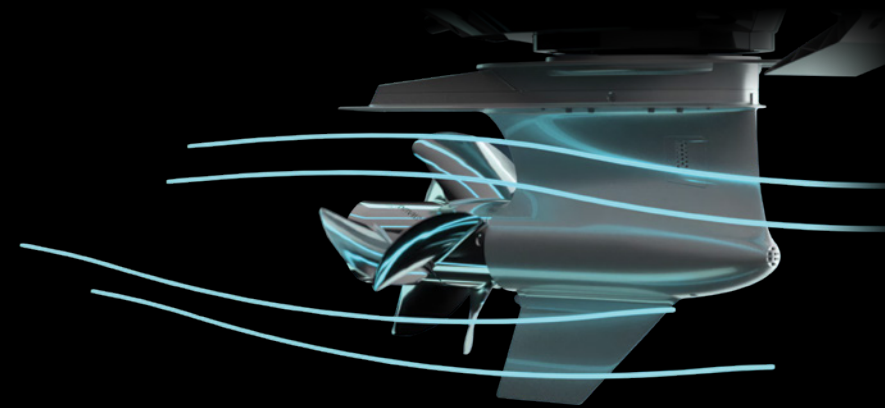
Verado12 Propellers

Decades of propeller mastery went into crafting a new series of dual props that harness the full potential of the V12 Verado outboard.

Designed to run in a contra-rotating configuration, the new propellers power the boat on plane swiftly and efficiently, while delivering exceptional handling and fuel economy.

HYDRODYNAMICS

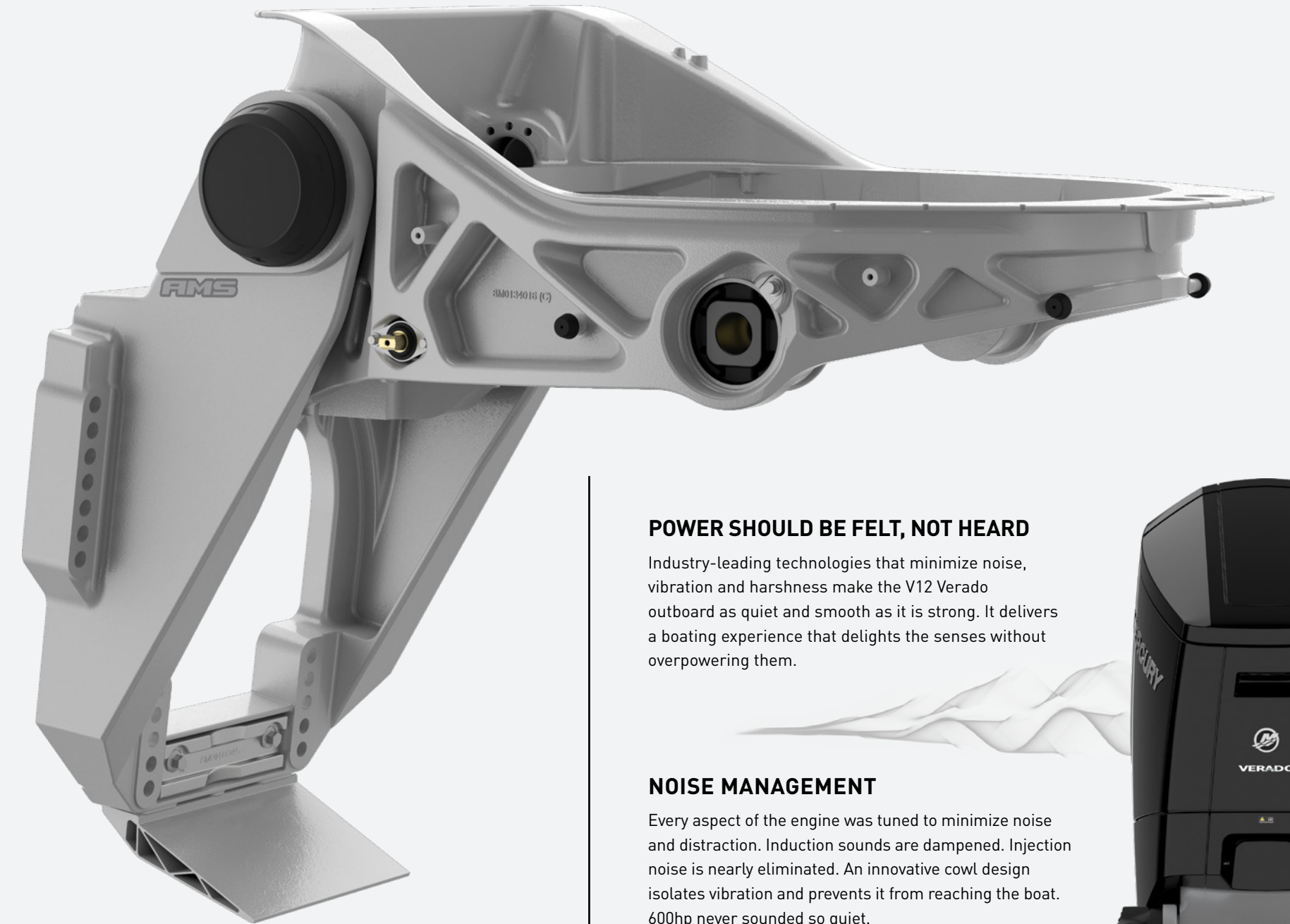
An advanced drive design results in exceptional hydrodynamics, reducing drag and enhancing stability at high speeds.



Advanced MidSection

Mercury® crafted the Advanced MidSection (AMS) mounting system exclusively for the Verado® engine family, helping to establish an industry-leading legacy of delivering smooth, quiet power and a premium boating experience.

The 7.6L V12 600hp Verado outboard builds on that legacy with a next-generation AMS system that's more rugged and even more refined. All you'll feel is the horsepower gracefully propelling you forward.



POWER SHOULD BE FELT, NOT HEARD

Industry-leading technologies that minimize noise, vibration and harshness make the V12 Verado outboard as quiet and smooth as it is strong. It delivers a boating experience that delights the senses without overpowering them.

NOISE MANAGEMENT

Every aspect of the engine was tuned to minimize noise and distraction. Induction sounds are dampened. Injection noise is nearly eliminated. An innovative cowl design isolates vibration and prevents it from reaching the boat. 600hp never sounded so quiet.

An aerial, high-angle photograph of a ship's wake in the ocean. The wake is a long, narrow, and turbulent trail of white and grey water, starting from the top left and extending towards the bottom right. The surrounding water is a deep, dark blue. The lighting is dramatic, highlighting the texture of the waves in the wake.

Freedom to seek new horizons.

Unmatched range and ease of ownership.
So you can pursue your passions without limits.

Under the Cowl

We changed the way the marine industry thinks about outboard maintenance so you barely need to think about it at all.

The 7.6L V12 600hp Verado® outboard can run for an astonishing 200 hours between oil changes and features an innovative top cowl service hood that makes servicing critical components a snap wherever you are on the water. With hassle-free maintenance and the backing of our extensive global service network, you have the freedom to travel farther and stay out longer than ever before.

Maintenance

Routine service can be performed wherever you are on the water, eliminating the hassles of trailering large boats or lifting them out of the water for maintenance. An innovative cowl hood was designed exclusively for the V12 Verado outboard to make service faster and more convenient, while color-coded touch points inside speed up the process to get you back on the water.

EASE OF MAINTENANCE (200 & 1000HRS)

The V12 Verado outboard is capable of operating for up to 200 hours between regular service, which can be performed conveniently through the cowl hood while the boat is in the water. The entire top cowl doesn't have to come off for additional maintenance until 1,000 hours or five years of operation.

ALTERNATOR/IDLE CHARGE

A powerful 150-amp alternator swiftly charges onboard batteries and intelligently supports the boat's electrical system to ensure that no matter what amenities you bring onboard, you'll always have the power that you need. Even at idle, the system is working for you by monitoring battery voltage and adjusting engine rpm as needed to boost alternator output.



Driving Experience

Driving a 7.6L V12 600hp Verado® outboard defies what you'd expect from an engine this powerful.



Next Gen DTS

Standard Next Gen Digital Throttle & Shift (DTS) controls feature an enhanced ergonomic design for comfortable driving and push-button access to advanced systems such as Active Trim incorporated directly on the control. Smooth, effortless shifting and instant throttle response combine with electro-hydraulic steering to deliver a premium driving experience.



JPO and Skyhook Advanced

Refined control. That's what you get when docking with Joystick Piloting or "digitally anchoring" with Skyhook® Advanced Features and V12 Verado outboards. Because the engines remain static and steering adjustments are done by the gearcases underwater, there's no clunky movement above water and less noise. Only smooth, effortless handling.



VesselView

VesselView® displays transform the helm of the boat into the ultimate command center by linking together the Mercury propulsion system with compatible onboard accessories. You can monitor engine data, control SmartCraft® digital technologies, view charts and sonar, and even operate onboard entertainment systems.

Fuel System

The V12 Verado outboard lets you go farther and explore further. Every system is optimized to enhance fuel efficiency and increase your on-water range.



Fuel Type / Economy (Go Farther)

The V12 Verado outboard is calibrated to deliver full performance on 95 RON fuel, with a host of efficiency-enhancing features such as a hydrodynamic gearcase and intelligent fuel system that optimize fuel economy to extend your range on the water.



Advanced Range Optimization

Advanced Range Optimization (ARO) enables you to go farther on every outing by precisely adjusting fuel delivery for the best possible efficiency at cruise.



Closed-Loop Fuel System

Oxygen sensors in the closed-loop fuel system detect potential inefficiencies and trigger precise adjustments to the fuel mixture to achieve maximum performance from every drop.

Specifications

600hp Verado®

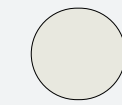
| | |
|---|--|
| Horsepower | Verado 600 |
| Midsection Design | Advanced MidSection (AMS) |
| Engine Type | V12 |
| Displacement | 461 cu in (7.6L) |
| Bore & Stroke | 3.8" x 3.4" (96mm x 87mm) |
| Max RPM at Full Throttle | 5600-6400 |
| Idle Rpm | 700 |
| Induction System | Performance-Tuned Intake Manifold |
| Fuel System | Electronic Fuel Injection [EFI] Computer Controlled with Advanced Range Optimization |
| Fuel Requirements | Unleaded Regular 95 RON 10% Ethanol Maximum |
| Ignition System | SmartCraft PCM 196 Digital Inductive |
| Charging System | 150-Amp with Idle Charge |
| Starting | Electric Start with SmartStart Protection |
| Exhaust System | Through Prop |
| Cooling System | Water-Cooled with Thermostat Control |
| Lubrication System | Integrated Wet Sump |
| Oil Recommendation | Mercury or Quicksilver® NMMA® FC-W® Certified SAE 10W-30 Full Synthetic |
| Oil Requirement | 10W-30 |
| Oil Capacity | 13.3L (14 US qt) |
| Engine Management System | Electronic Sequential Port Fuel Injected |
| Throttle and Shift Controls | Next Gen Digital Throttle & Shift (DTS) |
| Engine Protection System | SmartCraft Engine Guardian |
| Trim/Tilt System | Power Trim and Tilt |
| Troll Control RPM Limit | 700-1100 |
| Gearcase | 6.4" |
| Propellers | Contra-rotating |
| Overall Gear Ratio (forward) | 2.50:1 |
| Gear Shift | F2-F1-N-R |
| Gear Lube Capacity | 3.8L (4.0 US qt) |
| Transmission Shift Type | 2-Speed Dual Wet Clutch |
| Transmission Fluid Capacity (with filter change) | 6.6L (7.0 US qt) |
| Dry Weight (lbs./kg) | 1260lbs (572kg) |
| Steering Angle | +/- 45 Degrees |
| Steering | Integrated Electro-Hydraulic Power-Steering |
| Mounting Centers | 27" |
| CARB Star Rating | 3-Star |



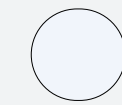
Phantom Black



Warm Fusion White



Pearl Fusion White



Cold Fusion White

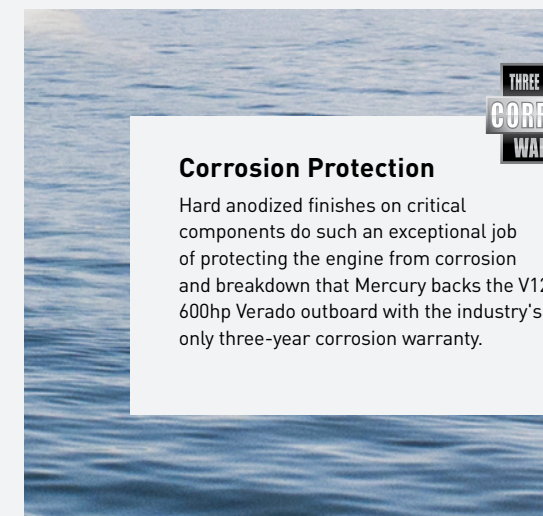
Color Choices

The V12 600hp Verado outboard is available in three shades of white – Cold Fusion White, Warm Fusion White and Pearl Fusion White – plus traditional Phantom Black. It's also available in a paint-ready finish package that ships ready for customization.



Engine Guardian

Explore farther with confidence knowing that the Mercury Engine Guardian system is at work. The system, available on all Verado outboards, monitors engine performance with more than 40 sensors to detect potential problems early and adjusts engine performance to get you back to shore.



Corrosion Protection

Hard anodized finishes on critical components do such an exceptional job of protecting the engine from corrosion and breakdown that Mercury backs the V12 600hp Verado outboard with the industry's only three-year corrosion warranty.



Warranty

Your investment is safe thanks to a standard three-year limited warranty that also extends to SmartCraft displays and hardware.





MercuryMarine.com/V12

© 2021 Brunswick Marine in EMEA. All Rights Reserved.

Brunswick Marine in EMEA continuously explores means to improve the products it designs, manufactures and distributes. Every effort is made to produce sales and service literature which is current. Changes to specifications of engines, boats and accessories are ongoing.

This brochure should not be regarded as a precise guide to the latest specifications. This brochure is also not an offer for sales of any particular engine, boat or accessory. Distributors and dealers are not agents of Brunswick Marine in EMEA or one of its affiliates and they have no authority to bind Brunswick Marine in EMEA by any express undertaking or representation, including but not limited to representations of product, sales, applications or service nature.

Not all products are available in all countries and some are available only in limited quantities. Some products shown in this catalogue are equipped with optional accessories. Please see your local dealer.

Product information in this brochure is accurate as of February 11, 2021. For the latest content, please visit MercuryMarine.com